



## *Ecuador* | 120 Mirror

A tree's core is a testament of the vital force of Nature, a realm where nothing is lost, all is merely transformed. The arches of this mirror are hand hammered in brass, shaped around a tree trunk. The mirror here represents time as a flat quasi-elliptical shape, therefore everlasting.

### AS PICTURED

#### MATERIALS & FINISHES

**Frame:** Amara Ebony wood veneer with gloss finishing.

**Metal details:** Brushed Brass.

**Mirror:** Clear finishing.

#### DIMENSIONS

Ø: 120 cm | 47,2"

D: 14 cm | 5,5"

#### CUSTOM/BESPOKE

This product is suitable for custom size.

Range between:

Ø: 60 cm | 23,6" - 180 cm | 70,9"

D: 6 cm | 2,4" - 22 cm | 8,7"

#### ENVIRONMENT

This product is made for living areas in interior spaces only. This product is not specified for bathrooms, spa's or humid environments. Not suitable for exteriors.

#### VOLUME

0,20 m<sup>3</sup> | 7,06 ft<sup>3</sup>

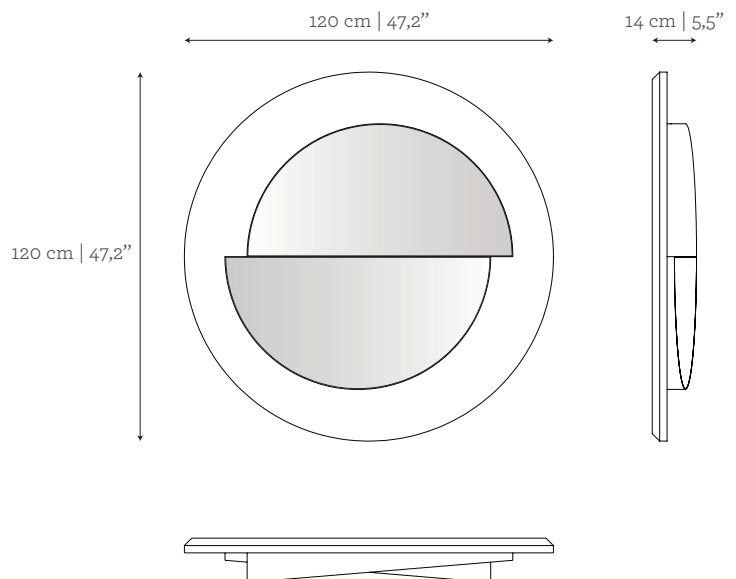
#### WEIGHT

42 kg | 92,6 lbs

#### Packed (in wooden case)

0,56 m<sup>3</sup> | 19,78 ft<sup>3</sup>

127 kg | 280 lbs



## MATERIALS & FINISHES

**Frame:** Lacquered in all RAL colours with matt or gloss finishing; or Bird Eye, Stone Bird Eye, American Walnut, Ebony, Amara Ebony or Olive Ash wood veneer with matt or gloss finishing.

**Metal details:** Brass, Nickel or Copper plate in polished, brushed or antique finishing.

**Mirror:** Clear, Bronze or Smokey finishing.

### Frame:

#### Lacquer



**CREAM**  
NCS S  
1010 - Y20R



**STONE**  
NCS S  
2005 - Y30R



**OLIVE GREEN**  
NCS S  
6020 - Y10R



**GREEN MOSS**  
RAL 7003



**SAGE**  
NCS S  
7010 - G50Y



**GREEN**  
RAL 6009



**ULTRAMARINE**  
RAL 5010



**SKY**  
NCS S  
2020 - R80B



**LAVENDER**  
NCS S  
3010 - R



**CHERRY**  
RAL 3005



**CORAL**  
NCS S  
4050 - Y90R



**MIOSOTIS**  
NCS S  
3010 - B70G



**NIGHT JUNGLE**  
NCS S  
8502 - G

#### Wood



**BIRD EYE**



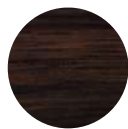
**STONE  
BIRD EYE**



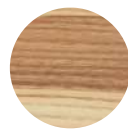
**AMERICAN  
WALNUT**



**EBONY**



**AMARA  
EBONY**



**OLIVE ASH**

## PRODUCT OPTIONS

Ecuador | 120 Mirror

### Metal details:



**BRASS**  
Polished



**BRASS**  
Brushed



**BRASS**  
Antique



**NICKEL**  
Polished



**NICKEL**  
Brushed



**NICKEL**  
Antique



**COPPER**  
Polished



**COPPER**  
Brushed



**COPPER**  
Antique

### Mirror:



**CLEAR**

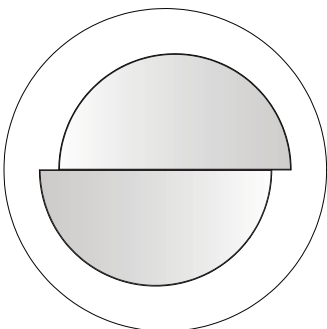


**BRONZE**

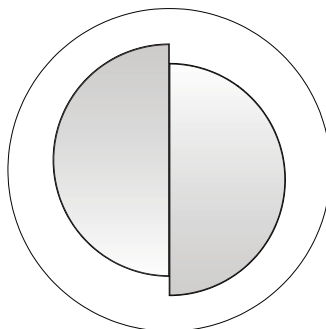


**SMOKEY**

### MIRROR VERSION



Horizontal



Vertical



## *Ecuador* | 140 Mirror

A tree's core is a testament of the vital force of Nature, a realm where nothing is lost, all is merely transformed. The arches of this mirror are hand hammered in brass, shaped around a tree trunk. The mirror here represents time as a flat quasi-elliptical shape, therefore everlasting.

### AS PICTURED

#### MATERIALS & FINISHES

**Frame:** Amara Ebony wood veneer with gloss finishing.

**Metal details:** Brushed Brass.

**Mirror:** Clear finishing.

#### DIMENSIONS

Ø: 140 cm | 55,1"

D: 16 cm | 6,3"

#### CUSTOM/BESPOKE

This product is suitable for custom size.

Range between:

Ø: 60 cm | 23,6" - 180 cm | 70,9"

D: 6 cm | 2,4" - 22 cm | 8,7"

#### ENVIRONMENT

This product is made for living areas in interior spaces only. This product is not specified for bathrooms, spa's or humid environments. Not suitable for exteriors.

#### VOLUME

0,31 m<sup>3</sup> | 10,95 ft<sup>3</sup>

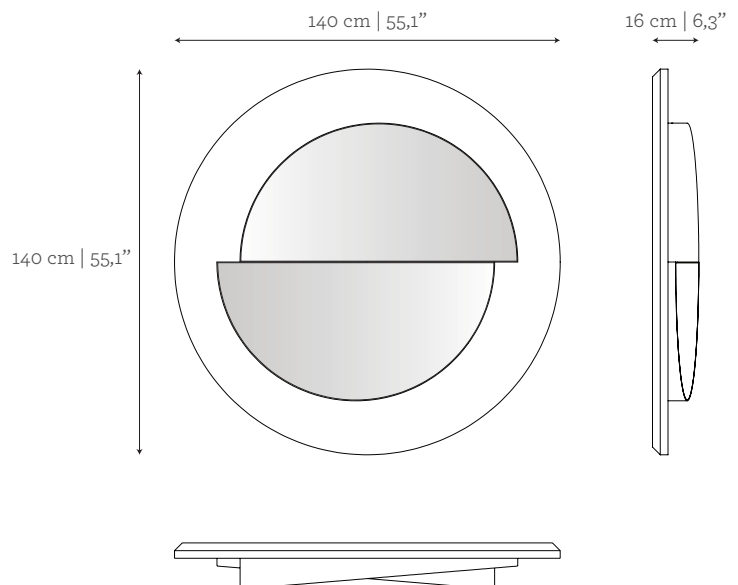
#### WEIGHT

49 kg | 108 lbs

#### Packed (in wooden case)

0,74 m<sup>3</sup> | 26,13 ft<sup>3</sup>

148 kg | 326,3 lbs



## MATERIALS & FINISHES

**Frame:** Lacquered in all RAL colours with matt or gloss finishing; or Bird Eye, Stone Bird Eye, American Walnut, Ebony, Amara Ebony or Olive Ash wood veneer with matt or gloss finishing.

**Metal details:** Brass, Nickel or Copper plate in polished, brushed or antique finishing.

**Mirror:** Clear, Bronze or Smokey finishing.

### Frame:

#### Lacquer



**CREAM**  
NCS S  
1010 - Y20R



**STONE**  
NCS S  
2005 - Y30R



**OLIVE GREEN**  
NCS S  
6020 - Y10R



**GREEN MOSS**  
RAL 7003



**SAGE**  
NCS S  
7010 - G50Y



**GREEN**  
RAL 6009



**ULTRAMARINE**  
RAL 5010



**SKY**  
NCS S  
2020 - R80B



**LAVENDER**  
NCS S  
3010 - R



**CHERRY**  
RAL 3005



**CORAL**  
NCS S  
4050 - Y90R



**MIOSOTIS**  
NCS S  
3010 - B70G



**NIGHT JUNGLE**  
NCS S  
8502 - G

#### Wood



**BIRD EYE**



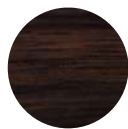
**STONE  
BIRD EYE**



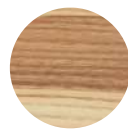
**AMERICAN  
WALNUT**



**EBONY**



**AMARA  
EBONY**



**OLIVE ASH**

## PRODUCT OPTIONS

Ecuador | 140 Mirror

### Metal details:



**BRASS**  
Polished



**BRASS**  
Brushed



**BRASS**  
Antique



**NICKEL**  
Polished



**NICKEL**  
Brushed



**NICKEL**  
Antique



**COPPER**  
Polished



**COPPER**  
Brushed



**COPPER**  
Antique

### Mirror:



**CLEAR**

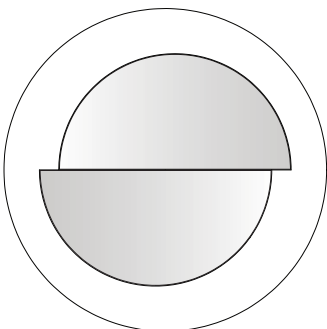


**BRONZE**

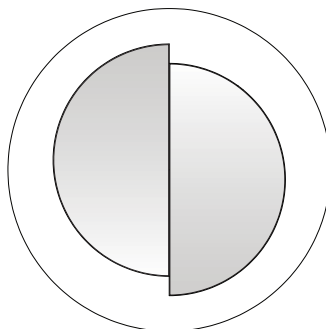


**SMOKEY**

### MIRROR VERSION



Horizontal



Vertical



## *Ecuador* | 100 Mirror

A tree's core is a testament of the vital force of Nature, a realm where nothing is lost, all is merely transformed. The arches of this mirror are hand hammered in brass, shaped around a tree trunk. The mirror here represents time as a flat quasi-elliptical shape, therefore everlasting.

### AS PICTURED

#### MATERIALS & FINISHES

**Frame:** Amara Ebony wood veneer with gloss finishing.

**Metal details:** Brushed Brass.

**Mirror:** Clear finishing.

#### DIMENSIONS

Ø: 100 cm | 39,4"

D: 12 cm | 4,7"

#### CUSTOM/BESPOKE

This product is suitable for custom size.

Range between:

Ø: 60 cm | 23,6" - 180 cm | 70,9"

D: 6 cm | 2,4" - 22 cm | 8,7"

#### ENVIRONMENT

This product is made for living areas in interior spaces only. This product is not specified for bathrooms, spa's or humid environments. Not suitable for exteriors.

#### VOLUME

0,12 m<sup>3</sup> | 4,24 ft<sup>3</sup>

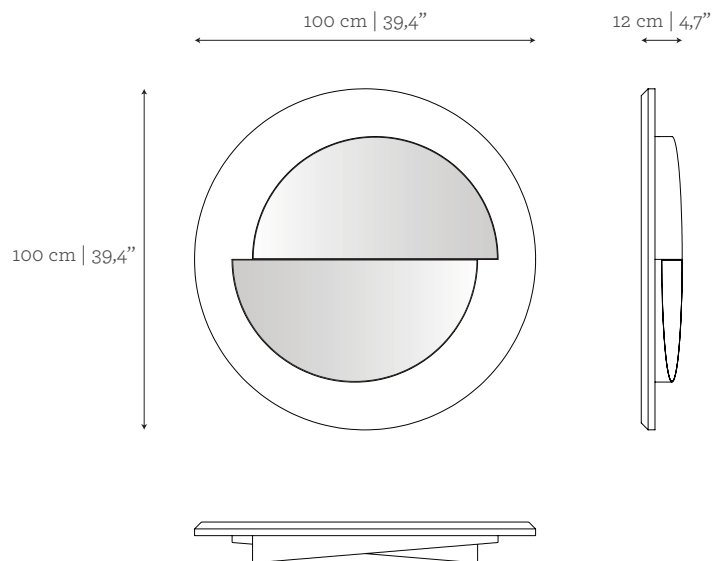
#### WEIGHT

35 kg | 77,2 lbs

#### Packed (in wooden case)

0,40 m<sup>3</sup> | 14,13 ft<sup>3</sup>

106 kg | 233,7 lbs



## MATERIALS & FINISHES

**Frame:** Lacquered in all RAL colours with matt or gloss finishing; or Bird Eye, Stone Bird Eye, American Walnut, Ebony, Amara Ebony or Olive Ash wood veneer with matt or gloss finishing.

**Metal details:** Brass, Nickel or Copper plate in polished, brushed or antique finishing.

**Mirror:** Clear, Bronze or Smokey finishing.

### Frame:

#### Lacquer



**CREAM**  
NCS S  
1010 - Y20R



**STONE**  
NCS S  
2005 - Y30R



**OLIVE GREEN**  
NCS S  
6020 - Y10R



**GREEN MOSS**  
RAL 7003



**SAGE**  
NCS S  
7010 - G50Y



**GREEN**  
RAL 6009



**ULTRAMARINE**  
RAL 5010



**SKY**  
NCS S  
2020 - R80B



**LAVENDER**  
NCS S  
3010 - R



**CHERRY**  
RAL 3005



**CORAL**  
NCS S  
4050 - Y90R



**MIOSOTIS**  
NCS S  
3010 - B70G



**NIGHT JUNGLE**  
NCS S  
8502 - G

#### Wood



**BIRD EYE**



**STONE  
BIRD EYE**



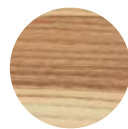
**AMERICAN  
WALNUT**



**EBONY**



**AMARA  
EBONY**



**OLIVE ASH**



## PRODUCT OPTIONS

Ecuador | 100 Mirror

### Metal details:



**BRASS**  
Polished



**BRASS**  
Brushed



**BRASS**  
Antique



**NICKEL**  
Polished



**NICKEL**  
Brushed



**NICKEL**  
Antique



**COPPER**  
Polished



**COPPER**  
Brushed



**COPPER**  
Antique

### Mirror:



**CLEAR**

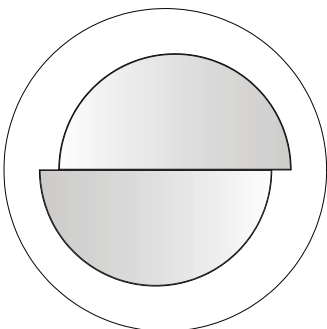


**BRONZE**

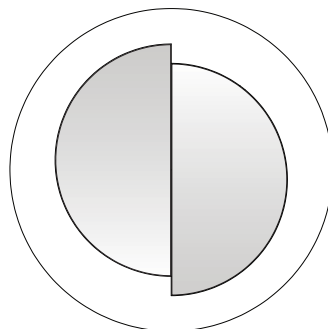


**SMOKEY**

### MIRROR VERSION



Horizontal



Vertical