



Cactus | 180 Console

The cactus leaf-shaped structure is cast in solid brass, providing a sense of functionality drawn from nature, while the minimalistic top and base provide a soothing balance with its quiet lines and graceful proportions.

AS PICTURED

MATERIALS & FINISHES

Top: Carrara marble in polished finishing.
Structure: Cast brass with Antique finishing.
Base: Carrara marble in polished finishing.

DIMENSIONS

W: 180 cm | 70,9"
 D: 50 cm | 19,7"
 H: 83 cm | 32,7"

CUSTOM/BESPOKE

This product is suitable for custom size.
 Range between:
 W: 130 cm | 51,2" - 180 cm | 70,9"
 D: 40 cm | 15,7" - 50 cm | 19,7"
 H not customizable

ENVIRONMENT

This product is made for living areas in interior spaces only. This product is not specified for bathrooms, spa's or humid environments. Not suitable for exteriors.

VOLUME

0,75 m³ | 26,49 ft³

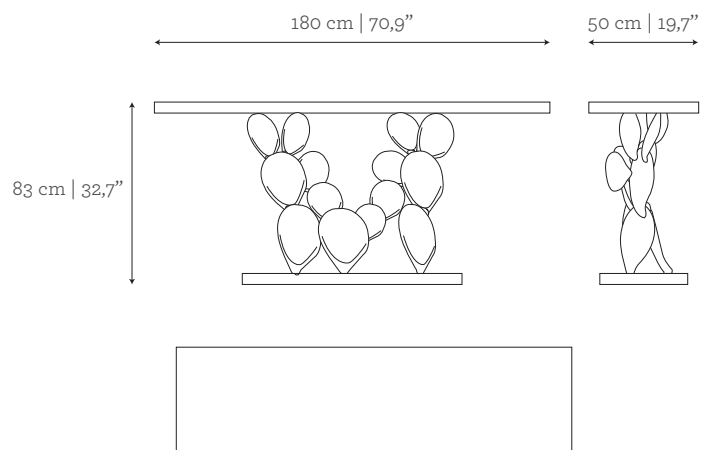
WEIGHT

225 kg | 496 lbs

Packed (in wooden case)

1,11 m³ | 39,20 ft³

315 kg | 695 lbs



MATERIALS & FINISHES

Top & Base: Lacquered in all RAL colors with matt or gloss finishing; or Carrara, Negro Marquina, Estremoz, Estremoz Rose or Guatemala Green marble in polished or honed finishing, or Romano Travertine in natural finishing.

Structure: Cast Brass with Brass, Antique Brass, Silver, Antique Silver, Copper or Antique Copper.

Top & Base:

Lacquer



CREAM
NCS S
1010 - Y20R



STONE
NCS S
2005 - Y30R



OLIVE GREEN
NCS S
6020 - Y10R



GREEN MOSS
RAL 7003



GREEN
RAL 6009



LAVENDER
NCS S
3010 - R



CHERRY
RAL 3005



CORAL
NCS S
4050 - Y90R



MIOSOTIS
NCS S
3010 - B70G



NIGHT JUNGLE
NCS S
8502 - G

Marble



CARRARA
Polished or
Honed



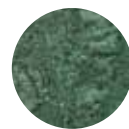
NEGRO MARQUINA
Polished or
Honed



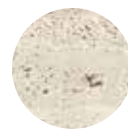
ESTREMOZ
Polished or
Honed



ESTREMOZ ROSE
Polished or
Honed



GUATEMALA GREEN
Polished or
Honed



ROMANO TRAVERTINE
Natural

GINGER & JAGGER

PRODUCT OPTIONS

Cactus | 180 Console

Structure:



BRASS
Brass



ANTIQUE BRASS
Brass with patina



SILVER
Brass with silver leaf



ANTIQUE SILVER
Brass with silver leaf and patina

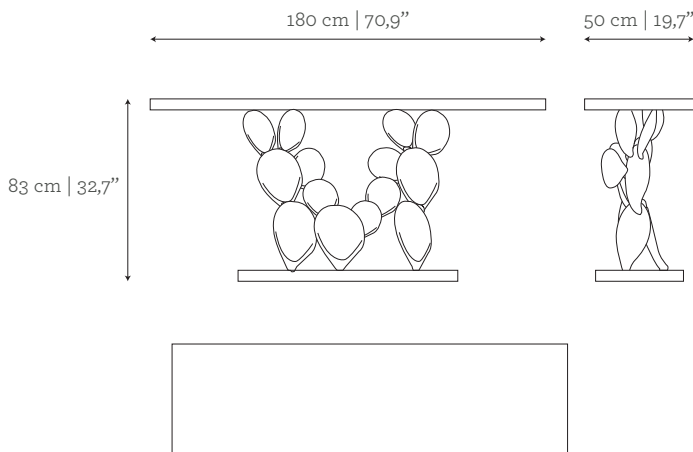


COPPER
Brass with copper leaf



ANTIQUE COPPER
Brass with copper leaf and patina

LACQUERED VERSION



VOLUME

0,75 m³ | 26,49 ft³

Packed (in wooden case)

1,11 m³ | 39,20 ft³

WEIGHT

108 Kg | 238,1 lbs

180 Kg | 396,8 lbs



Cactus | 160 Console

The cactus leaf-shaped structure is cast in solid brass, providing a sense of functionality drawn from nature, while the minimalistic top and base provide a soothing balance with its quiet lines and graceful proportions.

AS PICTURED

MATERIALS & FINISHES

Top: Carrara marble in polished finishing.
Structure: Cast brass with Antique finishing.
Base: Carrara marble in polished finishing.

DIMENSIONS

W: 160 cm | 63"
 D: 50 cm | 19,7"
 H: 83 cm | 32,7"

CUSTOM/BESPOKE

This product is suitable for custom size.
 Range between:
 W: 130 cm | 51,2" - 180 cm | 70,9"
 D: 40 cm | 15,7" - 50 cm | 19,7"
 H not customizable

ENVIRONMENT

This product is made for living areas in interior spaces only. This product is not specified for bathrooms, spa's or humid environments. Not suitable for exteriors.

VOLUME

0,66 m³ | 23,31 ft³

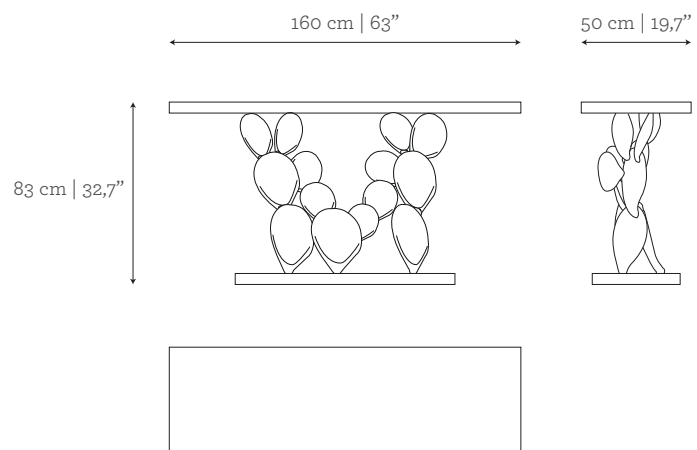
Packed (in wooden case)

1,05 m³ | 37,08 ft³

WEIGHT

200 kg | 440,9 lbs

280 kg | 617,3 lbs



MATERIALS & FINISHES

Top & Base: Lacquered in all RAL colors with matt or gloss finishing; or Carrara, Negro Marquina, Estremoz, Estremoz Rose or Guatemala Green marble in polished or honed finishing, or Romano Travertine in natural finishing.

Structure: Cast Brass with Brass, Antique Brass, Silver, Antique Silver, Copper or Antique Copper.

Top & Base:

Lacquer

				
CREAM NCS S 1010 - Y20R	STONE NCS S 2005 - Y30R	OLIVE GREEN NCS S 6020 - Y10R	GREEN MOSS RAL 7003	GREEN RAL 6009
				
LAVENDER NCS S 3010 - R	CHERRY RAL 3005	CORAL NCS S 4050 - Y90R	MIOSOTIS NCS S 3010 - B70G	NIGHT JUNGLE NCS S 8502 - G

Marble

					
CARRARA Polished or Honed	NEGRO MARQUINA Polished or Honed	ESTREMOZ Polished or Honed	ESTREMOZ ROSE Polished or Honed	GUATEMALA GREEN Polished or Honed	ROMANO TRAVERTINE Natural

GINGER & JAGGER

PRODUCT OPTIONS

Cactus | 160 Console

Structure:



BRASS
Brass



ANTIQUE BRASS
Brass with patina



SILVER
Brass with silver leaf



ANTIQUE SILVER
Brass with silver leaf and patina

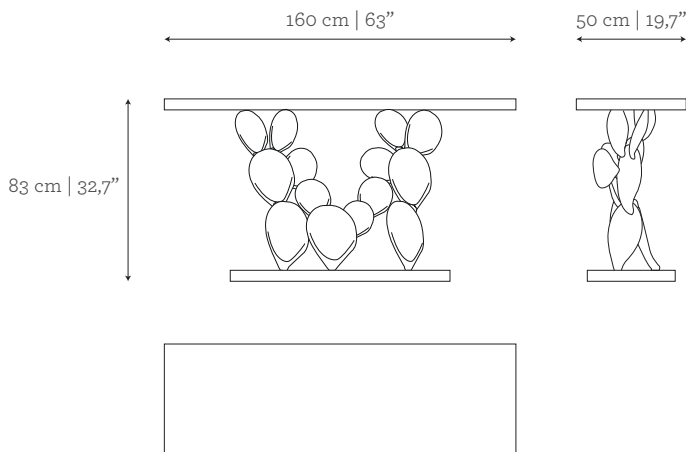


COPPER
Brass with copper leaf



ANTIQUE COPPER
Brass with copper leaf and patina

LACQUERED VERSION



VOLUME

0,66 m³ | 23,31 ft³

Packed (in wooden case)

1,05 m³ | 37,08 ft³

WEIGHT

96 Kg | 211,6 lbs

160 Kg | 352,7 lbs