



Tree | Table Lamp

Featuring a base made of wood in brass casting mold and a fabric lampshade, the Tree Table Lamp personifies the great contrast found in Nature between raw and refined textures and materials.

AS PICTURED

MATERIALS & FINISHES

Base: Cast brass with Gold Leaf finishing.

Lampshade: Conic lampshade in Wild Silk in Ivory.

BULBS & VOLTAGE

1 x E27 LED, 4W 2700K 470lm | 230V

EU & UK - Bulbs, sockets and plugs included;

USA - Wiring, bulbs, sockets and plugs not included;

Non-EU requirements - Please send an email to info@gingerandjagger.com

LIGHT SWITCH

Standard switch.

Also available dimmable switch and DALI controller system.

CUSTOM/BESPOKE

This product is not suitable for customization.

ENVIRONMENT

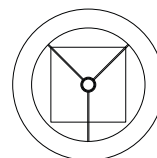
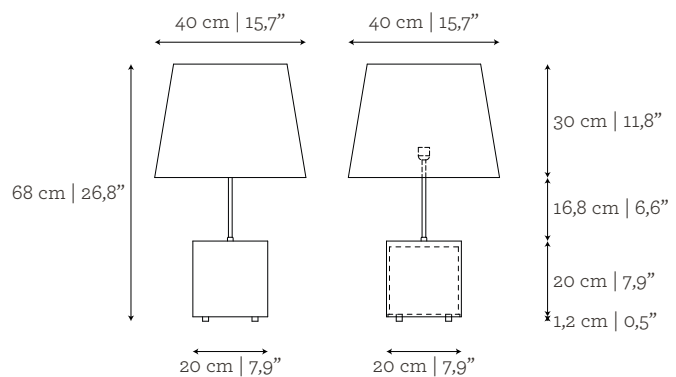
This product is made for living areas in interior spaces only. This product is not specified for bathrooms, spa's or humid environments. Not suitable for exteriors.

DIMENSIONS

W: 40 cm | 15,7"

D: 40 cm | 15,7"

H: 68 cm | 26,8"



VOLUME

0,11 m³ | 3,88 ft³

Packed (in wooden case)

0,3 m³ | 10,59 ft³

WEIGHT

6 kg | 13,2 lbs

46 kg | 101,4 lbs

PRODUCT OPTIONS

Tree | Table Lamp

MATERIALS & FINISHES

Base: Cast brass in Gold, Silver or Copper leaf finishing.

Lampshade: Wild Silk in Ivory, Honey, Green Moss, Black Amber or Silver.

Base:



BRASS

Cast brass with gold leaf



SILVER

Cast brass with silver leaf



COPPER

Cast brass with copper leaf

Lampshade:



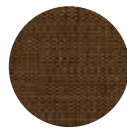
IVORY



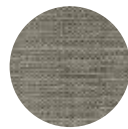
HONEY



GREEN MOSS



BLACK AMBER



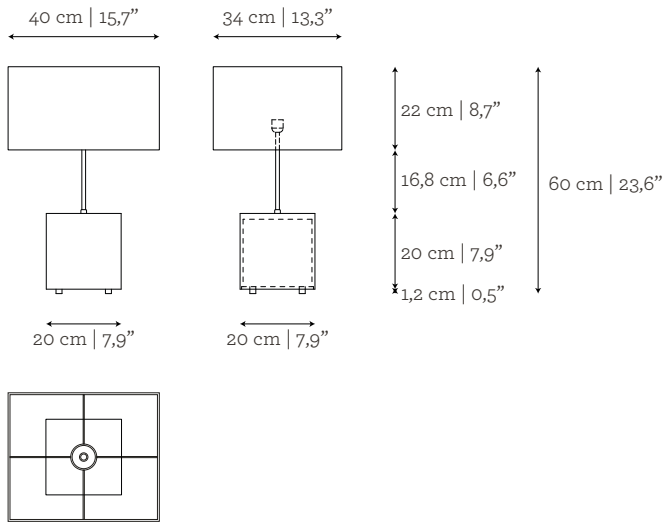
SILVER

PRODUCT OPTIONS

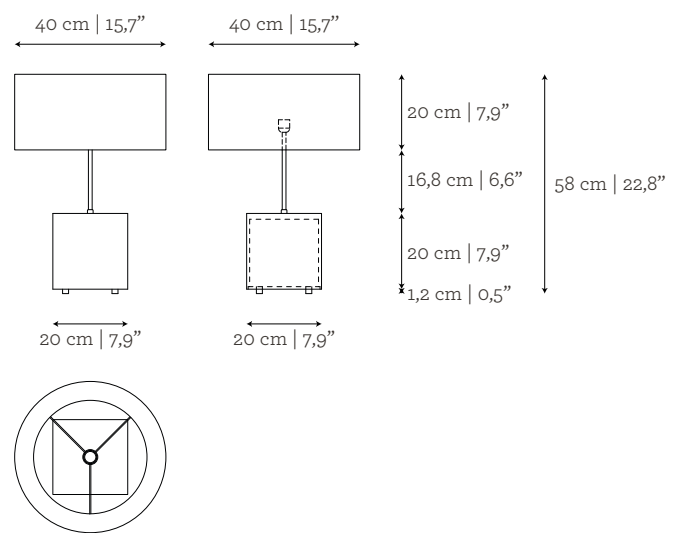
Tree | Table Lamp

LAMPSHADE

Medium rectangular lampshade:



Medium round lampshade:



LIGHT DIRECTION

