



Savana | Wall Lamp

The blend of harmony and chaos in Nature's patterns comes into place in this unique piece, whose metal elements, hammered by hand by artisans, reflect light in a mesmerizing fashion.

AS PICTURED

MATERIALS & FINISHES

Lampshade: Brushed Hammered Brass.

BULBS & VOLTAGE

2 x E27 LED Dimmable, 4W 2700K 470lm | 230V

EU & UK - Bulbs, sockets and plugs included;

USA - Wiring, bulbs, sockets and plugs not included;

Non-EU requirements - Please send an email to info@gingerandjagger.com

LIGHT SWITCH

Standard switch.

Also available dimmable switch and DALI controller system.

CUSTOM/BESPOKE

This product is suitable for custom size. Range between:

W: 31 cm | 12,2" - 60 cm | 23,6"

D not customizable

H: 40 cm | 15,7" - 100 cm | 39,4"

ENVIRONMENT

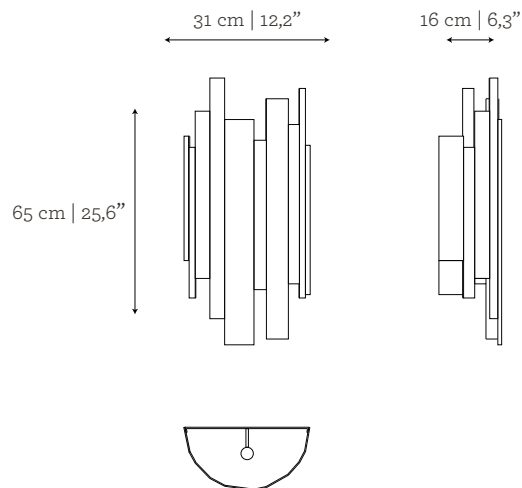
This product is made for living areas in interior spaces only. This product is not specified for bathrooms, spa's or humid environments. Not suitable for exteriors.

DIMENSIONS

W: 31 cm | 12,2"

D: 16 cm | 6,3"

H: 65 cm | 25,6"



VOLUME

0,03 m³ | 1,06 ft³

Packed (in reinforced carton case)

0,06 m³ | 2,12 ft³

WEIGHT

3,5 kg | 7,7 lbs

6 kg | 13,2 lbs

PRODUCT OPTIONS

Savana | Wall Lamp

MATERIALS & FINISHES

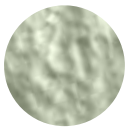
Structure: Brass, Nickel or Copper in brushed hammered finishing.

Cables: Stainless steel.

Structure:



BRASS
Brushed
Hammered



NICKEL
Brushed
Hammered



COPPER
Brushed
Hammered

LIGHT DIRECTION

