



Savana | Suspension Lamp

The blend of harmony and chaos in Nature's patterns comes into place in this unique piece, whose metal elements, hammered by hand by artisans, reflect light in a mesmerizing fashion.

AS PICTURED

MATERIALS & FINISHES

Structure: Brushed Hammered Brass.
Metal Details: Brushed Brass.
Cables: Stainless steel.

BULBS & VOLTAGE

6 x E27 LED Dimmable, 4W 2700K 470lm | 230V
EU & UK - Bulbs, sockets and plugs included;
USA - Wiring, bulbs, sockets and plugs not included;
Non-EU requirements - Please send an email to info@gingerandjagger.com

LIGHT SWITCH

Standard switch.
 Also available dimmable switch and DALI controller system.

CUSTOM/BESPOKE

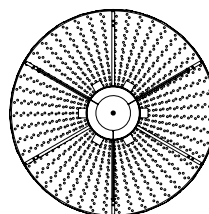
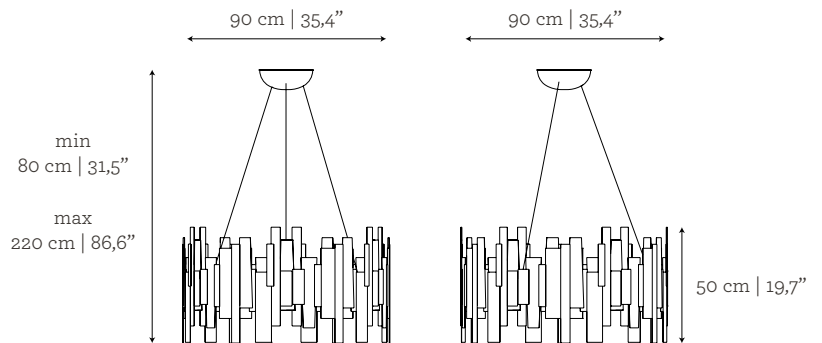
This product is suitable for custom size. Range between:
 Ø: 40 cm | 15,7" - 100 cm | 39,4"
 H structure: 45 cm | 17,7" - 90 cm | 35,4"

ENVIRONMENT

This product is made for living areas in interior spaces only. This product is not specified for bathrooms, spa's or humid environments. Not suitable for exteriors.

DIMENSIONS

Ø: 90 cm | 35,4"
 H: Customizable



VOLUME

0,41 m³ | 14,48 ft³

Packed (in wooden case)

0,75 m³ | 26,49 ft³

WEIGHT

28 kg | 61,7 lbs

105 kg | 231,5 lbs

PRODUCT OPTIONS

Savana | Suspension Lamp

MATERIALS & FINISHES

Structure: Brass, Nickel or Copper in brushed hammered finishing.

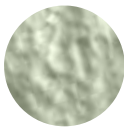
Metal details: Brass, Nickel or Copper plate in polished, brushed or antique finishing.

Cables: Stainless steel.

Structure:



BRASS
Brushed
Hammered



NICKEL
Brushed
Hammered



COPPER
Brushed
Hammered

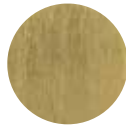
Metal details:



BRASS
Polished



BRASS
Brushed



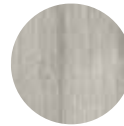
BRASS
Antique



NICKEL
Polished



NICKEL
Brushed



NICKEL
Antique



COPPER
Polished



COPPER
Brushed



COPPER
Antique

LIGHT DIRECTION

