



Lotus | Floor Lamp

Rising from a marble base, the Lotus springs to life, giving a soft light and a warm bronze light to a living space. The metal leaves have a fine hand crafted chiseled texture with a hammered finish.

AS PICTURED

MATERIALS & FINISHES

Base: Carrara marble in polished finishing.
Bottom Tubes: Antique Brass.
Top Tubes: Polished Brass.
Exterior of the Leaves: Chiseled and Hammered Brass.
Interior of the Leaves: Polished Brass.

BULBS & VOLTAGE

3 x E14 LED, 4,5W 3200K 400lm | 230V
EU & UK - Bulbs, sockets and plugs included;
USA - Wiring, bulbs, sockets and plugs not included;
Non-EU requirements - Please send an email to info@gingerandjagger.com

LIGHT SWITCH

Standard switch.
 Also available dimmable switch and DALI controller system.

CUSTOM/BESPOKE

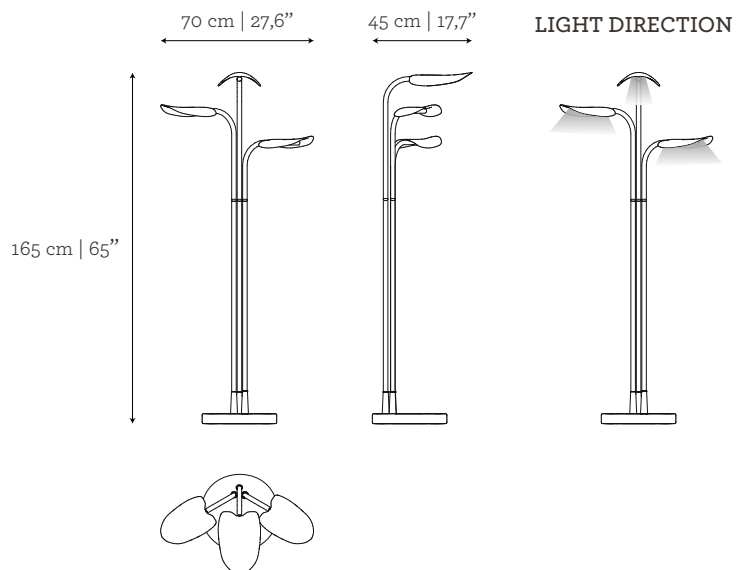
This product is suitable for custom size. Range between:
 W: Not customizable
 D: 45 cm | 17,7" - 60 cm | 23,6"
 H: 140 cm | 55,1" - 200 cm | 78,7"

ENVIRONMENT

This product is made for living areas in interior spaces only. This product is not specified for bathrooms, spa's or humid environments. Not suitable for exteriors.

DIMENSIONS

W: 70 cm | 27,6"
 D: 45 cm | 17,7"
 H: 165 cm | 65"



VOLUME

0,52 m³ | 18,36 ft³

Packed (in wooden case)

0,75 m³ | 26,49 ft³

WEIGHT

35 kg | 77,2 lbs

80 kg | 176,4 lbs

GINGER & JAGGER

PRODUCT OPTIONS

MATERIALS & FINISHES

Base: Romano Travertine in natural finishing; or Carrara, Negro Marquina, Estremoz, Estremoz Rose or Guatemala Green marble in polished finishing.

Top and Bottom tubes: Brass, Nickel or Copper plate in polished, brushed or antique finishing.

Exterior of the Leaves: Brass, Nickel or Copper plate in chiseled and hammered finishing.

Interior of the Leaves: Brass, Nickel or Copper plate in polished finishing.

Base:



Top and Bottom Tubes:



Exterior of the Leaves:



Interior of the Leaves:

