



Estremoz | Wall Lamp

The unique veins of the marble are complemented by the soft backlight that comes from behind the hand hammered metal plate at the center of the Estremoz.

AS PICTURED

MATERIALS & FINISHES

Lampshade: Estremoz marble in honed finishing.
Metal detail: Jagged Hammered Brass.

BULBS & VOLTAGE

2 x E27 LED Dimmable 4W 2700K 470lm | 230V
EU & UK - Bulbs, sockets and plugs included;
USA - Wiring, bulbs, sockets and plugs not included;
Non-EU requirements - Please send an email to info@gingerandjagger.com

LIGHT SWITCH

Standard switch.
 Also available dimmable switch and DALI controller system.

CUSTOM/BESPOKE

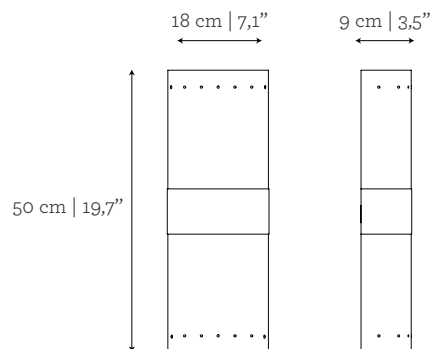
This product is suitable for custom size. Range between:
 W: 18 cm | 7,1" - 50 cm | 19,7"
 D not customizable
 H: 40 cm | 15,8" - 100 cm | 39,4"

ENVIRONMENT

This product is made for living areas in interior spaces only. This product is not specified for bathrooms, spa's or humid environments. Not suitable for exteriors.

DIMENSIONS

W: 18 cm | 7,1"
 D: 9 cm | 3,5"
 H: 50 cm | 31,5"



VOLUME

0,01 m³ | 0,35 ft³

Packed (in reinforced carton case)

0,06 m³ | 2,12 ft³

WEIGHT

4 kg | 8,8 lbs

6 kg | 13,2 lbs

GINGER & JAGGER

PRODUCT OPTIONS

Estremoz | Wall Lamp

MATERIALS & FINISHES

Lampshade: Carrara, Negro Marquina, Estremoz, Estremoz Rose or Guatemala Green marble in honed finishing.

Metal detail: Brass, Nickel or Copper plate in jagged hammered finishing.

Lampshade:



CARRARA
Honed



NEGRO MARQUINA
Honed



ESTREMOZ
Honed

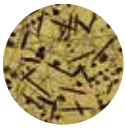


ESTREMOZ ROSE
Honed



GUATEMALA GREEN
Honed

Metal detail:



BRASS
Jagged
Hammered



NICKEL
Jagged
Hammered



COPPER
Jagged
Hammered

LIGHT DIRECTION

