

Antartic | Mirror

The Antarctic Mirror is a jagged and complex structure of Ginger & Jagger's unique Jagged hand hammered metal frames that create a series of unforeseen reflections, reminiscent of the great glacial shapes found in the Earth's poles.

AS PICTURED

MATERIALS & FINISHES

Frame: Jagged Hammered Copper.

Mirror: Bronze finishing.

DIMENSIONS

W: 156 cm | 61,4"

D: 42 cm | 16,5"

H: 112 cm | 44,1"

CUSTOM/BESPOKE

This product is not suitable for customization.

ENVIRONMENT

This product is made for living areas in interior spaces only. This product is not specified for bathrooms, spa's or humid environments. Not suitable for exteriors.

VOLUME

0,73 m³ | 25,78 ft³

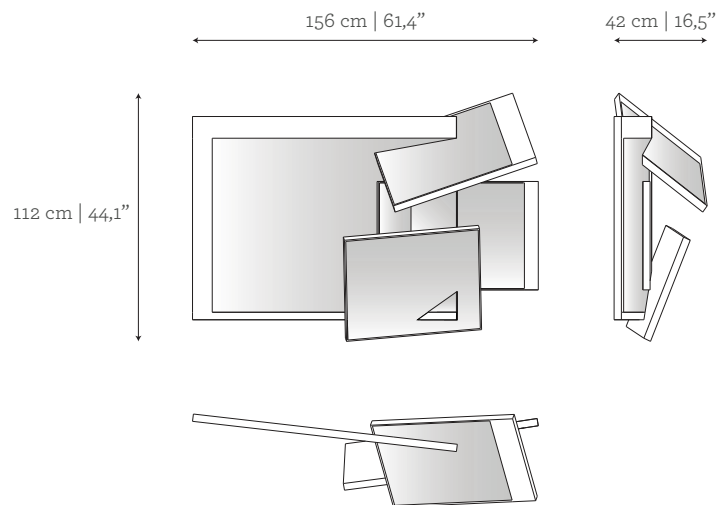
Packed (in wooden case)

1,13 m³ | 39,9 ft³

WEIGHT

45 kg | 99,2 lbs

135 kg | 297,6 lbs



PRODUCT OPTIONS

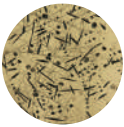
Antartic | Mirror

MATERIALS & FINISHES

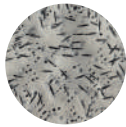
Frame: Brass, Nickel or Copper plate in jagged hammered finishing.

Mirror: Clear, Bronze or Smokey finishing.

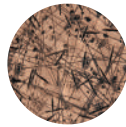
Frame:



BRASS
Jagged
Hammered



NICKEL
Jagged
Hammered



COPPER
Jagged
Hammered

Mirror:



CLEAR



BRONZE



SMOKEY