



Medronho | Table Lamp

The Medronho table lamp translates the fluidity of natural forms into a sculptural composition of delicate balance. The hand-blown off-white glass globe reveals subtle irregularities, expressing the singularity of each element and the craftsmanship that gives it form.

AS PICTURED

MATERIALS & FINISHES

Structure: Cast Brass in Antique Brass.
Metal Details: Brass in Antique Brass.
Glass Globe: Hand-blown White.

DIMENSIONS

W: 270 mm | 10,6"
 D: 220 mm | 8,7"
 H: 280 mm | 11"

BULBS & VOLTAGE

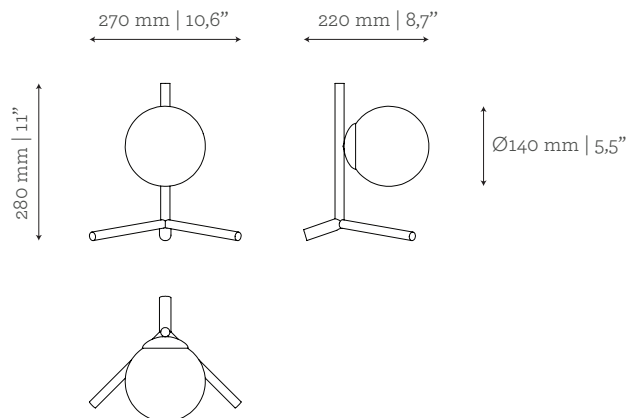
1 x G9 LED, 2,5W 2300K 240lm | 230V
EU & UK - Bulb and socket included;
USA - Wiring, bulb and socket not included;
Non-EU requirements - Please send an email to info@gingerandjagger.com

LIGHT CONTROL OPTIONS

Supplied with standard switch.

CUSTOM/BESPOKE

This product is not suitable for customization.



ENVIRONMENT

This product is made for living areas in interior spaces only. This product is not specified for bathrooms, spa's or humid environments. Not suitable for exteriors.

VOLUME

0,02 m³ | 0,71 ft³

Packed (in reinforced carton case)

0,03 m³ | 1,06 ft³

WEIGHT

2 kg | 4,4 lbs

3 kg | 6,6 lbs

GINGER & JAGGER

PRODUCT OPTIONS

Medronho | Table Lamp

MATERIALS & FINISHES

Structure: Cast brass with Brass, Antique Brass, Nickel, Antique Nickel or Copper, Antique Copper.

Metal details: Brass, Antique Brass, Nickel, Antique Nickel or Copper, Antique Copper.

Glass Globe: Hand-blown White.

Structure:



BRASS
Brass



ANTIQUE BRASS
Brass with patina



SILVER
Brass with silver leaf



ANTIQUE SILVER
Brass with silver leaf and patina



COPPER
Brass with copper leaf



ANTIQUE COPPER
Brass with copper leaf and patina

Metal Details:



BRASS
Brushed



BRASS
Antique



NICKEL
Brushed



NICKEL
Antique



COPPER
Brushed



COPPER
Antique

Glass Globe:



Hand-blown
Off-White

LIGHT DIRECTION

