



Etna | Floor Lamp

The Etna Floor Lamp evokes a mineral flow in ascent. Produced in marble, the lamp unfolds through a continuous vertical line, marked by a subtle undulation that runs across the surface and reveals, within it, a continuous trace of light, evoking the incandescent path of lava through matter.

AS PICTURED

MATERIALS & FINISHES

Body: Estremoz marble in honed finishing.
Light: LED strip light, 10mm, 2700K.

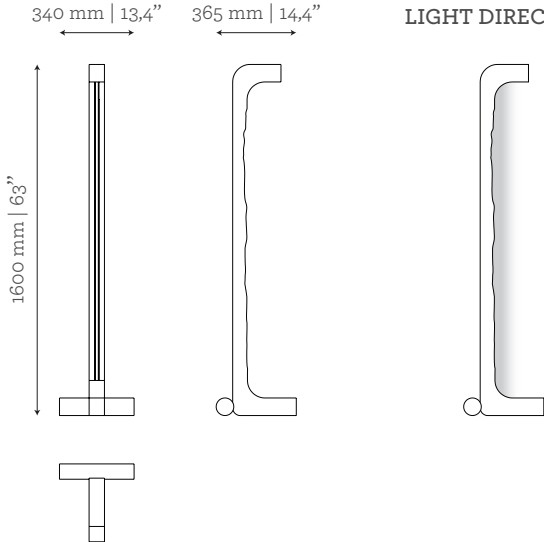
DIMENSIONS

W: 340 mm | 13,4"
 D: 365 mm | 14,4"
 H: 1600 mm | 63"

BULBS & VOLTAGE

LED strip light, 14W 2700K 1500lm | 230V
EU & UK - LED included;
USA - Wiring and LED not included;
Non-EU requirements - Please send an email to info@gingerandjagger.com

LIGHT DIRECTION



LIGHT CONTROL OPTIONS

Supplied with standard switch.

CUSTOM/BESPOKE

This product is not suitable for customization.

ENVIRONMENT

This product is made for living areas in interior spaces only. This product is not specified for bathrooms, spa's or humid environments. Not suitable for exteriors.

VOLUME

0,17 m³ | 6 ft³

Packed (in wooden case)

0,43 m³ | 15,2 ft³

WEIGHT

27 kg | 59,5 lbs

87 kg | 191,8 lbs

PRODUCT OPTIONS

Etna | Floor Lamp

MATERIALS & FINISHES

Body: Carrara, Estremoz or Estremoz Rose marble in polished or honed finishing.

Light: LED strip light, 10mm, 2700K.

Body:



CARRARA

Polished
or Honed



ESTREMOZ

Polished
or Honed



ESTREMOZ ROSE

Polished
or Honed