



Dolmen | Bookcase

Dolmen Bookcase embodies minimalist design, merging sculptural artistry with functional form. Handcrafted in lacquer wood, its design features a series of interlocking, megalithic-inspired forms that create a harmonious balance between solid structure and open space. This architectural composition not only serves as a functional storage solution but also as a striking visual centerpiece, bringing a touch of sophisticated design to any interior.

AS PICTURED

MATERIALS & FINISHES

Structure: Lacquered in Night Jungle with gloss finishing.

DIMENSIONS

W: 2050 mm | 80,7"
D: 450 mm | 17,7"
H: 2000 mm | 78,7"

CUSTOM/BESPOKE

This product is not suitable for customization.

ENVIRONMENT

This product is made for living areas in interior spaces only. This product is not specified for bathrooms, spa's or humid environments. Not suitable for exteriors.

VOLUME

1,85 m³ | 65,5 ft³

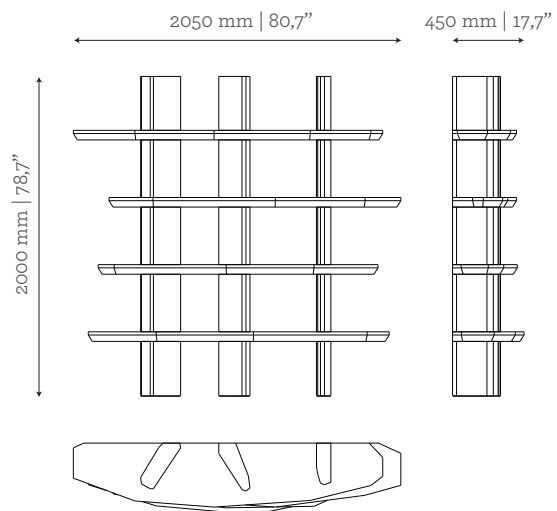
WEIGHT

245 kg | 540,1 lbs

Packed (in wooden case)

1,85 m³ | 65,5 ft³

410 kg | 903,9 lbs



GINGER & JAGGER

PRODUCT OPTIONS

Dolmen | Bookcase

MATERIALS & FINISHES

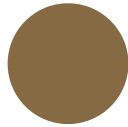
Structure: Lacquered in all RAL and NCS colours with matt or gloss finish.



CREAM
NCS S
1010 - Y20R



STONE
NCS S
2005 - Y30R



OLIVE GREEN
NCS S
6020 - Y10R



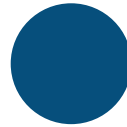
GREEN MOSS
RAL 7003



SAGE
NCS S
7010 - G50Y



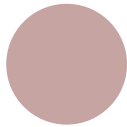
GREEN
RAL 6009



ULTRAMARINE
RAL 5010



SKY
NCS S
2020 - R80B



LAVENDER
NCS S
3010 - R



CHERRY
RAL 3005



CORAL
NCS S
4050 - Y90R



MIOSOTIS
NCS S
3010 - B70G



NIGHT JUNGLE
NCS S
8502 - G