



## *Air* | 40 Side Table

The Air Side Tables pay tribute to the invisible foundations of life on Earth. Standing on rosebush branches, molded in brass casting, the acrylic top seemingly floats, as if suspended in the air. Their weightless feel makes them purposefully atmospheric for living spaces in need of lightness.

### AS PICTURED

#### MATERIALS & FINISHES

**Top:** Crystal Acrylic.

**Legs:** Cast brass with Brass finishing.

#### DIMENSIONS

Ø: 40 cm | 15,7"

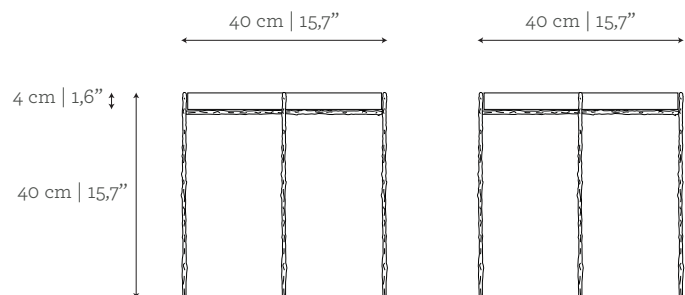
H: 40 cm | 15,7"

#### CUSTOM/BESPOKE

This product is not suitable for customization.

#### ENVIRONMENT

This product is made for living areas in interior spaces only. This product is not specified for bathrooms, spa's or humid environments. Not suitable for exteriors.



#### VOLUME

0,06 m<sup>3</sup> | 2,12 ft<sup>3</sup>

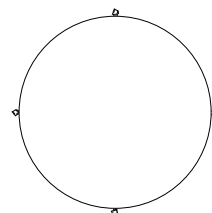
#### WEIGHT

10 kg | 22 lbs

#### Packed (in reinforced carton case)

0,10 m<sup>3</sup> | 3,53 ft<sup>3</sup>

12 kg | 26,5 lbs



# GINGER & JAGGER

## PRODUCT OPTIONS

Air | 40 Side Table

### MATERIALS & FINISHES

**Top:** Crystal acrylic; or lacquered in all RAL colours with matt or gloss finishing; or Carrara, Negro Marquina, Estremoz, Estremoz Rose or Guatemala Green marble in polished finishing, or Romano Travertine in natural finishing.

**Legs:** Brass, Antique Brass, Silver, Antique Silver, Copper or Antique Copper.

#### Top:

##### Acrylic



#### CRYSTAL

##### Lacquer



**CREAM**  
NCS S  
1010 - Y20R



**STONE**  
NCS S  
2005 - Y30R



**OLIVE GREEN**  
NCS S  
6020 - Y10R



**GREEN MOSS**  
RAL 7003



**GREEN**  
RAL 6009



**LAVENDER**  
NCS S  
3010 - R



**CHERRY**  
RAL 3005



**CORAL**  
NCS S  
4050 - Y90R



**MIOSOTIS**  
NCS S  
3010 - B70G



**NIGHT JUNGLE**  
NCS S  
8502 - G

##### Marble



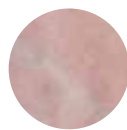
**CARRARA**  
Polished



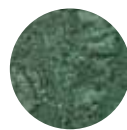
**NEGRO  
MARQUINA**  
Polished



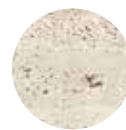
**ESTREMOZ**  
Polished



**ESTREMOZ  
ROSE**  
Polished



**GUATEMALA  
GREEN**  
Polished



**ROMANO  
TRAVERTINE**  
Natural

# GINGER & JAGGER

## PRODUCT OPTIONS

Air | 40 Side Table

### Legs:



**BRASS**  
Brass



**ANTIQUE BRASS**  
Brass with patina



**SILVER**  
Brass with silver leaf



**ANTIQUE SILVER**  
Brass with silver leaf and patina

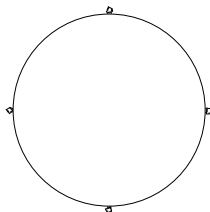
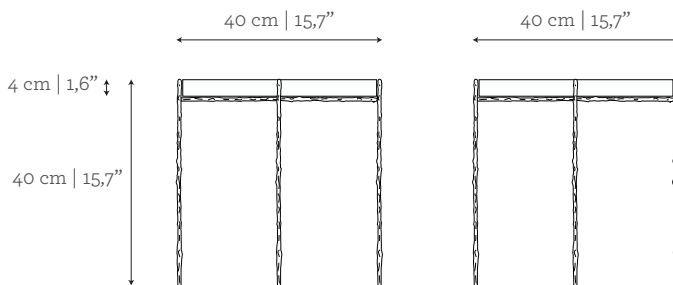


**COPPER**  
Brass with copper leaf



**ANTIQUE COPPER**  
Brass with copper leaf and patina

### LACQUERED VERSION



#### VOLUME

0,06 m<sup>3</sup> | 2,12 ft<sup>3</sup>

#### WEIGHT

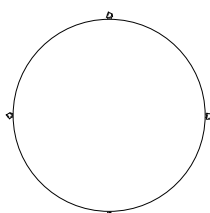
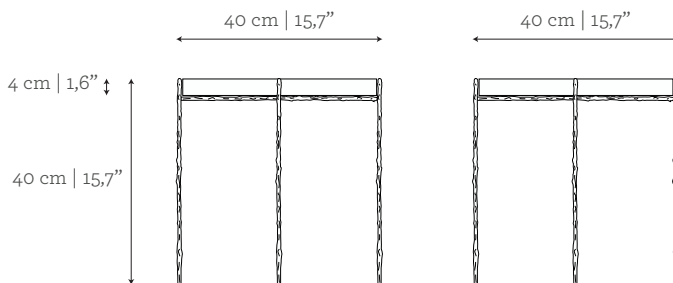
8 kg | 17,6 lbs

#### Packed (in reinforced carton case)

0,10 m<sup>3</sup> | 3,53 ft<sup>3</sup>

10 kg | 22 lbs

### MARBLE VERSION



#### VOLUME

0,06 m<sup>3</sup> | 2,12 ft<sup>3</sup>

#### WEIGHT

19 kg | 41,9 lbs

#### Packed (in wooden case)

0,11 m<sup>3</sup> | 3,88 ft<sup>3</sup>

65 kg | 143,3 lbs



## *Air* | 50 Side Table

The Air Side Tables pay tribute to the invisible foundations of life on Earth. Standing on rosebush branches, molded in brass casting, the acrylic top seemingly floats, as if suspended in the air. Their weightless feel makes them purposefully atmospheric for living spaces in need of lightness.

### AS PICTURED

#### MATERIALS & FINISHES

**Top:** Crystal Acrylic.

**Legs:** Cast brass with Brass finishing.

#### DIMENSIONS

Ø: 50 cm | 19,7"

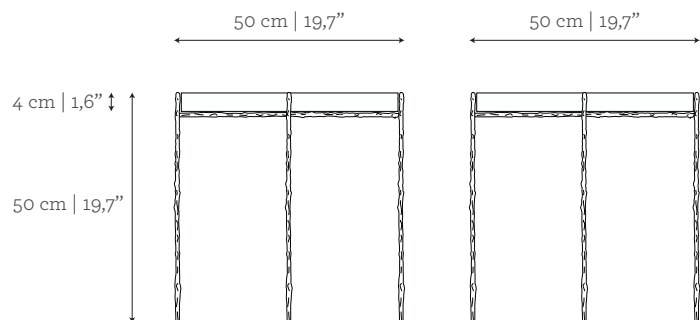
H: 50 cm | 19,7"

#### CUSTOM/BESPOKE

This product is not suitable for customization.

#### ENVIRONMENT

This product is made for living areas in interior spaces only. This product is not specified for bathrooms, spa's or humid environments. Not suitable for exteriors.



#### VOLUME

0,13 m<sup>3</sup> | 4,59 ft<sup>3</sup>

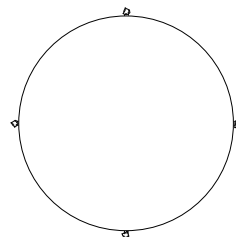
#### WEIGHT

15 kg | 33,1 lbs

#### Packed (in reinforced carton case)

0,19 m<sup>3</sup> | 6,71 ft<sup>3</sup>

19 kg | 41,9 lbs



# GINGER & JAGGER

## PRODUCT OPTIONS

Air | 50 Side Table

### MATERIALS & FINISHES

**Top:** Crystal acrylic; or lacquered in all RAL colours with matt or gloss finishing; or Carrara, Negro Marquina, Estremoz, Estremoz Rose or Guatemala Green marble in polished finishing, or Romano Travertine in natural finishing.

**Legs:** Brass, Antique Brass, Silver, Antique Silver, Copper or Antique Copper.

#### Top:

##### Acrylic



#### CRYSTAL

##### Lacquer



**CREAM**  
NCS S  
1010 - Y20R



**STONE**  
NCS S  
2005 - Y30R



**OLIVE GREEN**  
NCS S  
6020 - Y10R



**GREEN MOSS**  
RAL 7003



**GREEN**  
RAL 6009



**LAVENDER**  
NCS S  
3010 - R



**CHERRY**  
RAL 3005



**CORAL**  
NCS S  
4050 - Y90R



**MIOSOTIS**  
NCS S  
3010 - B70G



**NIGHT JUNGLE**  
NCS S  
8502 - G

##### Marble



**CARRARA**  
Polished



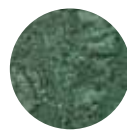
**NEGRO  
MARQUINA**  
Polished



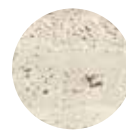
**ESTREMOZ**  
Polished



**ESTREMOZ  
ROSE**  
Polished



**GUATEMALA  
GREEN**  
Polished



**ROMANO  
TRAVERTINE**  
Natural

# GINGER & JAGGER

## PRODUCT OPTIONS

Air | 50 Side Table

### Legs:



**BRASS**  
Brass



**ANTIQUE BRASS**  
Brass with patina



**SILVER**  
Brass with silver leaf



**ANTIQUE SILVER**  
Brass with silver leaf and patina

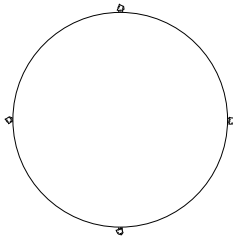
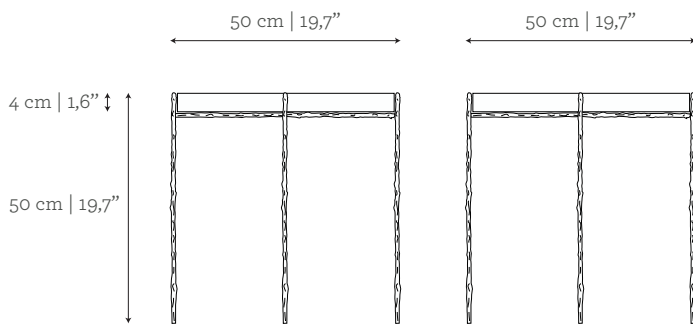


**COPPER**  
Brass with copper leaf



**ANTIQUE COPPER**  
Brass with copper leaf and patina

### LACQUERED VERSION



#### VOLUME

0,13 m<sup>3</sup> | 4,59 ft<sup>3</sup>

**Packed (in reinforced carton case)**

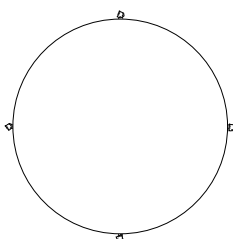
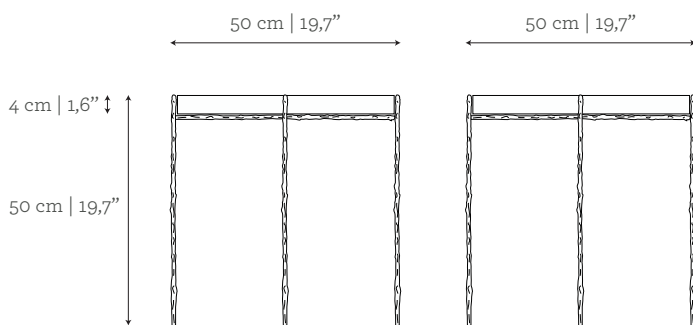
0,19 m<sup>3</sup> | 6,71 ft<sup>3</sup>

#### WEIGHT

13 kg | 28,7 lbs

17 kg | 37,5 lbs

### MARBLE VERSION



#### VOLUME

0,13 m<sup>3</sup> | 4,59 ft<sup>3</sup>

**Packed (in wooden case)**

0,20 m<sup>3</sup> | 7,06 ft<sup>3</sup>

#### WEIGHT

29 kg | 63,9 lbs

75 kg | 165,3 lbs