



Ecuador | 140 Mirror

SPEC SHEET

AS PICTURED

Frame in Amara Ebony wood veneer in gloss finishing; metal details in Brushed Brass; mirror in Clear finishing.

MATERIALS & FINISHES

Frame: Bird Eye, Artic Bird Eye, American Walnut, Ebony, Amara Ebony or Olive Ash wood veneer or lacquered in all RAL colors with matt or gloss finishing.
Metal details: Brass, Nickel or Copper plate in Polished, Brushed or Antique finishing.
Mirror: Clear, Bronze or Smokey finishing.

VOLUME

0,70 m3 / 24,7 ft3 (packed)

DIMENSIONS

Ø: 140 cm | 55,1"
 D: 16 cm | 6,3"

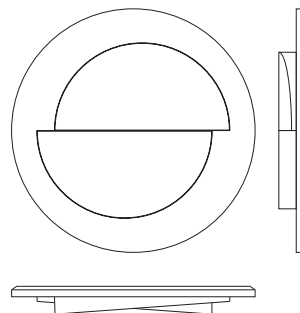
CUSTOM

Suitable for custom size. Range between:
 W: 60 cm/23,6" - 180cm/ 70,9"
 D: 6cm/2,4" - 22cm/ 8,7"
 H: W: 60 cm/23,6" - 180cm/ 70,9"

WEIGHT

49 Kg / 108 lbs
 148 Kg / 326.2 lbs
 (packed in wooden case)

TECHNICAL DRAW





Ecuador | 120 Mirror

SPEC SHEET

AS PICTURED

Frame in Amara Ebony wood veneer in gloss finishing; metal details in Brushed Brass; mirror in Clear finishing.

MATERIALS & FINISHES

Frame: Bird Eye, Artic Bird Eye, American Walnut, Ebony, Amara Ebony or Olive Ash wood veneer or lacquered in all RAL colors with matt or gloss finishing.

Metal details: Brass, Nickel or Copper plate in Polished, Brushed or Antique finishing.

Mirror: Clear, Bronze or Smokey finishing.

VOLUME

0,59 m3 / 20,8 ft3 (packed)

DIMENSIONS

Ø: 120 cm | 47,2"

D: 15 cm | 5,9"

CUSTOM

Suitable for custom size. Range between:

W: 60 cm/23,6" - 180cm/ 70,9"

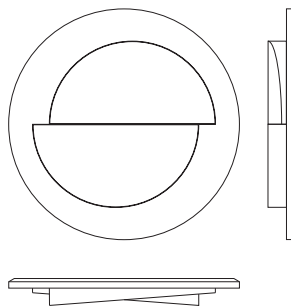
D: 6cm/2,4" - 22cm/ 8,7"

H: W: 60 cm/23,6" - 180cm/ 70,9"

WEIGHT

42 Kg / 92.5lbs
127 Kg / 279.9 lbs
(packed in wooden case)

TECHNICAL DRAW





Ecuador | 100 Mirror

SPEC SHEET

AS PICTURED

Frame in Amara Ebony wood veneer in gloss finishing;
metal details in Brushed Brass; mirror in Clear finishing.

MATERIALS & FINISHES

Frame: Bird Eye, Artic Bird Eye, American Walnut, Ebony, Amara Ebony or Olive Ash wood veneer or lacquered in all RAL colors with matt or gloss finishing.

Metal details: Brass, Nickel or Copper plate in Polished, Brushed or Antique finishing.

Mirror: Clear, Bronze or Smokey finishing.

VOLUME

0,34 m3 / 12 ft3 (packed)

DIMENSIONS

Ø: 100 cm | 39,4"

D: 14 cm | 5,5 "

CUSTOM

Suitable for custom size. Range between:

W: 60 cm/23,6" - 180cm/ 70,9"

D: 6cm/2,4" - 22cm/ 8,7"

H: W: 60 cm/23,6" - 180cm/ 70,9"

WEIGHT

35 Kg / 77,1 lbs

106 Kg / 233,7 lbs
(packed in wooden case)

TECHNICAL DRAW

