



Tree | Table Lamp

Featuring a base made of wood in brass casting mold and a fabric lampshade, the Tree Table Lamp personifies the great contrast found in Nature between raw and refined textures and materials.

AS PICTURED

MATERIALS & FINISHES

Base: Cast brass with Gold Leaf finishing.

Lampshade: Conic lampshade in Wild Silk in Ivory.

BULBS & VOLTAGE

1 x E27 LED, 4W 2700K 470lm | 230V

EU & UK - Bulb, socket, switch and plug included;

USA - Wiring, bulb, socket and plug not included;

Non-EU requirements - Please send an email to info@gingerandjagger.com

LIGHT CONTROL OPTIONS

Supplied with standard switch.

Dimmer switch available, upon request.

DALI controller system available

(upcharge over retail price) upon request.

CUSTOM/BESPOKE

This product is not suitable for customization.

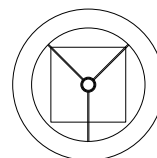
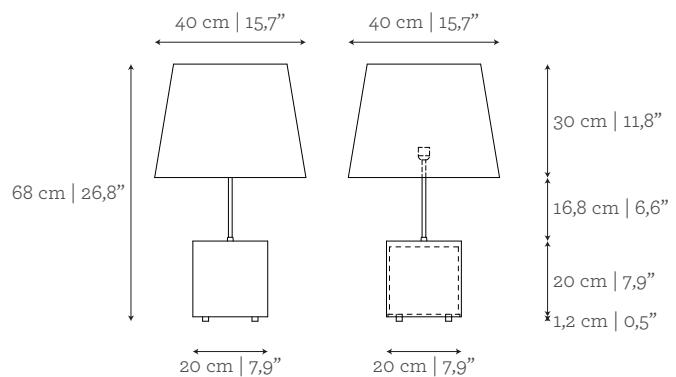
ENVIRONMENT

This product is made for living areas in interior spaces only. This product is not specified for bathrooms, spa's or humid environments. Not suitable for exteriors.

DIMENSIONS

Ø: 40 cm | 15,7"

H: 68 cm | 26,8"



VOLUME

0,11 m³ | 3,88 ft³

Packed (in wooden case)

0,3 m³ | 10,59 ft³

WEIGHT

6 kg | 13,2 lbs

46 kg | 101,4 lbs

PRODUCT OPTIONS

Tree | Table Lamp

MATERIALS & FINISHES

Base: Cast brass with Gold, Silver or Copper leaf finishing.

Lampshade: Wild Silk in Ivory, Honey, Green Moss, Black Amber or Silver.

Base:



BRASS

Cast brass with gold leaf



SILVER

Cast brass with silver leaf



COPPER

Cast brass with copper leaf

Lampshade:



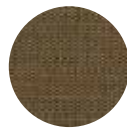
IVORY



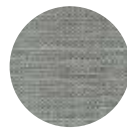
HONEY



GREEN MOSS



BLACK AMBER



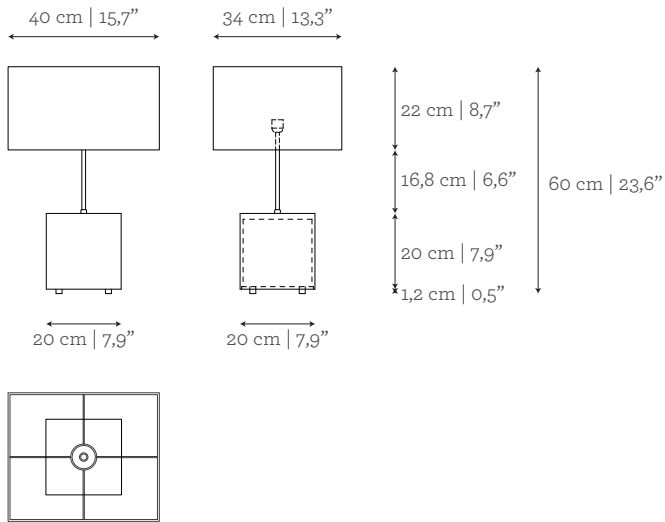
SILVER

PRODUCT OPTIONS

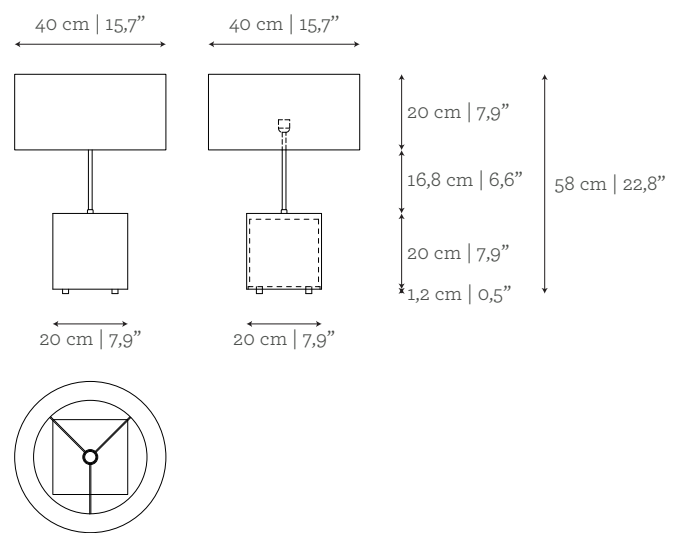
Tree | Table Lamp

LAMPSHADE

Medium rectangular lampshade:



Medium round lampshade:



LIGHT DIRECTION

