



Primitive | Round Dining Table

Nature's forms, materials and textures are immortalized in striking fashion in this piece. The structure is molded in brass casting from magnolia tree branches, providing function to its natural form. The marble base and top deepens the piece's connection with earthy materials. The softness of the marble and the ruggedness of the textured brass are a testament of Nature's paradox: complex, yet simple.

AS PICTURED

MATERIALS & FINISHES

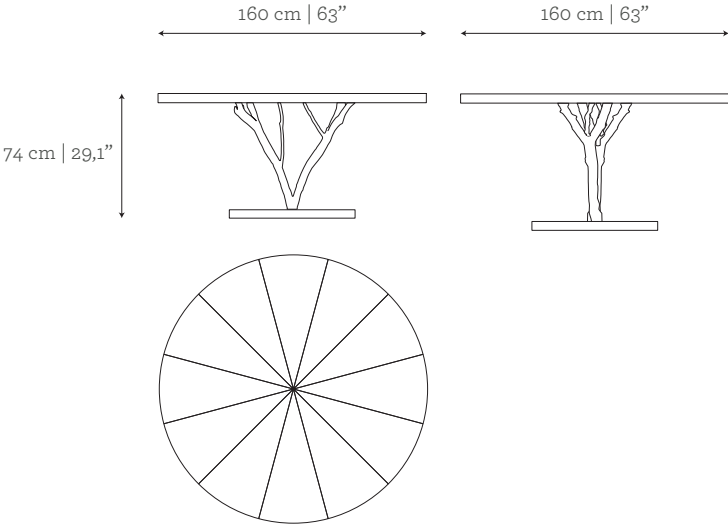
Top: American Walnut veneer inlay marquetry in matt.
Structure: Cast brass with Brass finishing.
Base: Antique Brass.

DIMENSIONS

Ø: 160 cm | 63"
 H: 74 cm | 29,1"

CUSTOM/BESPOKE

This product is suitable for custom size.
 Range between:
 W: 110 cm | 43,3" - 180 cm | 70,9"
 D: 110 cm | 43,3" - 180 cm | 70,9"
 H not customizable



ENVIRONMENT

This product is made for living areas in interior spaces only. This product is not specified for bathrooms, spa's or humid environments. Not suitable for exteriors.

VOLUME

1,89 m³ | 66,74 ft³

WEIGHT

110 kg | 242,5 lbs

Packed (in 2 wooden cases)

1,45 m³ | 51,21 ft³

299 kg | 659,2 lbs

GINGER & JAGGER

PRODUCT OPTIONS

Primitive | Round Dining Table

MATERIALS & FINISHES

Top: American Walnut, Ebony, Amara Ebony or Olive Ash wood veneer with matt or gloss finishing.

Structure: Cast Brass with Brass, Antique Brass, Silver, Antique Silver, Copper or Antique Copper.

Base: Brass, Nickel or Copper plate in polished, brushed or antique finishing.

Top:



AMERICAN
WALNUT



EBONY



AMARA
EBONY



OLIVE ASH

Structure:



BRASS
Brass



ANTIQUE BRASS
Brass with patina



SILVER
Brass with
silver leaf



ANTIQUE SILVER
Brass with silver
leaf and patina



COPPER
Brass with
copper leaf



ANTIQUE COPPER
Brass with copper
leaf and patina

Footer:



BRASS
Polished



BRASS
Brushed



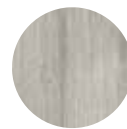
BRASS
Antique



NICKEL
Polished



NICKEL
Brushed



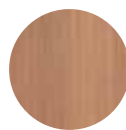
NICKEL
Antique



COPPER
Polished



COPPER
Brushed



COPPER
Antique